

STREAMLINED. THE MANHATTAN COLLECTION PRESENTS ORIGINAL MODERN HARDWARE EPITOMIZING THE LONG LINES AND SLENDER FORM OF URBAN ARCHITECTURE.



STAINLESS STEEL
DMX03/STL



TORTOISE SHELL*
DMX05/TOR



DARK BEECHWOOD
DMX01/BWD



SHIMMERY PEARL
DMX02/VR



NATURAL*
DMX07/NAT



CLEAR ACRYLIC
DMX04/ACR



KNOTTED WOOD*
DMX06/TTW



STAINLESS STEEL ENDCAP
DMX10/STL
1³/₁₆" L x 1³/₄" H x ³/₈" D



Slim FINIALS IN
A MELANGE OF
SAVVY SURFACES

FINIAL DIMENSIONS
4¹/₄" L x 1³/₄" H x ³/₈" D

*FINIAL PATTERN VARIES

A NEW BREED OF DRAPERY ROD, UNUSUALLY FLAT AND NARROW



1 1/2" WIDE METAL ROD
4 ft DMX20/SNI
8 ft DMX21/SNI
CUSTOM STRAIGHT CUT
DP900

CONTOURED C-RINGS GUIDE EFFORTLESSLY



STEEL C-RING
DMX30/STL



SINGLE STEEL BRACKET
DMX40/STL

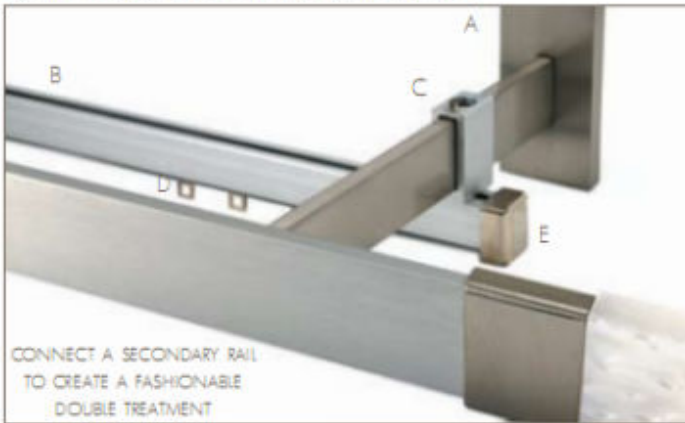


SINGLE STEEL CEILING BRACKET
DMX44/STL



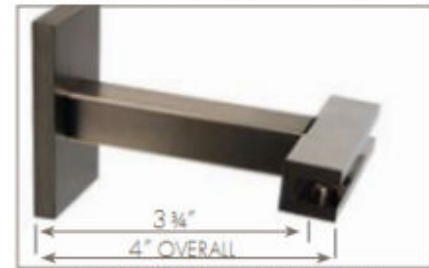
BATON
DTX50/STL
41"-80" LENGTHS
AVAILABLE
DTX53/STL

DOUBLE BRACKET SYSTEM COMPONENTS



CONNECT A SECONDARY RAIL TO CREATE A FASHIONABLE DOUBLE TREATMENT

RINGS TRAVEL OVER SPLICED AREAS FOR A CONTINUOUS DRAW



CENTER SPLICE SINGLE BRACKET
DMX42/STL



DOUBLE STEEL BRACKET
DMX41/STL



DOUBLE BRACKET CENTER SPLICE KIT
DMX43/STL



SECONDARY METAL RAIL
4 ft DMX25/SNI
8 ft DMX26/SNI



RAIL ADAPTER FOR BRACKET
DMX50/SNI



METAL RAIL RUNNER
DMX35/STL



METAL ENDCAP FOR RAIL
DMX51/STL